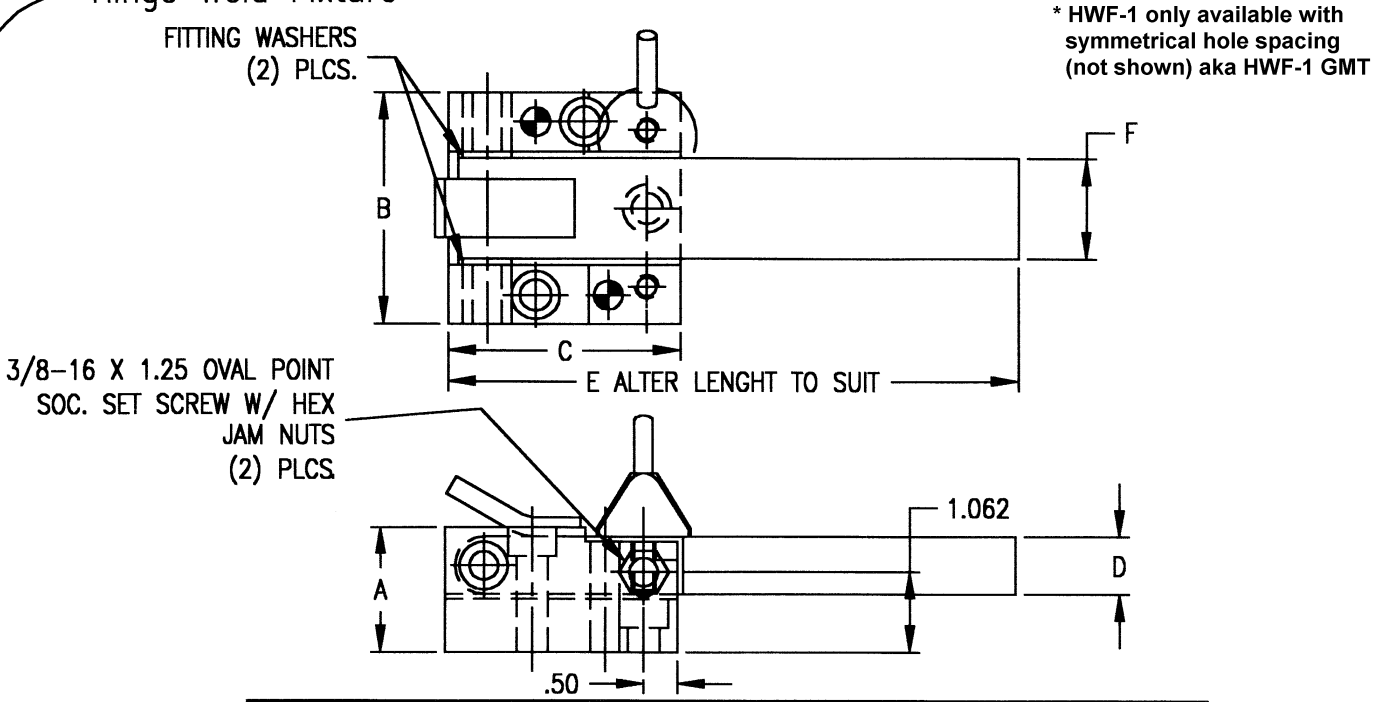


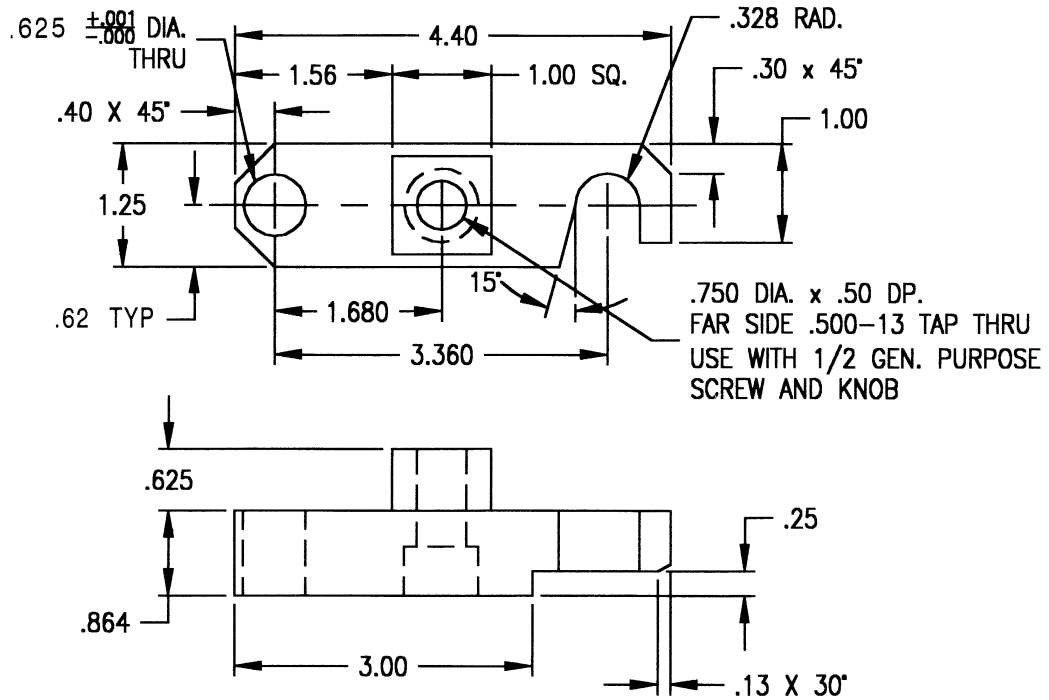
# HINGE BASES

## Hinge Weld Fixture



PX NO.	A	B	C	D	E	F
* HWF-1	2.00	4.0	5.5	1.25	12.50	2.218
HWF-2	1.75	3.5	4.5	1.00	10.00	1.718
HWF-3	1.62	3.0	3.5	.75	7.38	1.218

## Leaf Gate



CAT. NO. 4-000029052
-------------------------